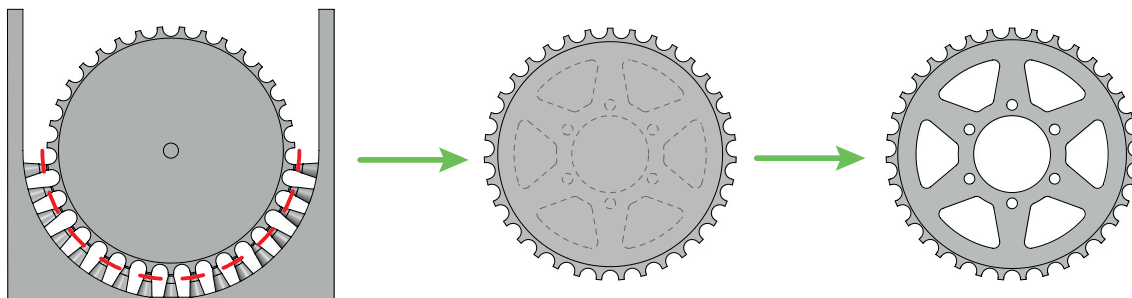


## DCL-PAR120

### Assembly instructions

Separate the sprockets from their supports by cutting the junction of the tooth and the support with a scalpel.

Transfer the sprocket design of the model you want to reproduce onto the sprocket and cut the necessary holes.



#### **NOTE:**



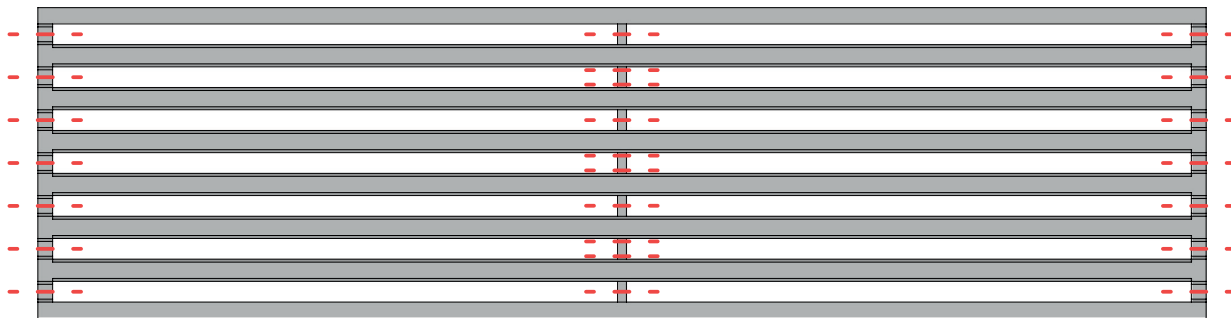
3D resin is fragile, so you should **NOT** use excessive force when joining the pieces or you risk breaking the parts.

Carry out a test assembly before painting the parts, sanding where necessary and preferably the plastic parts of the kit, until the parts fit together with light pressure without being forced.

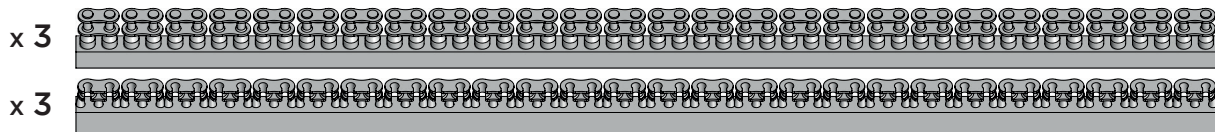
## DCL-PAR120

### Assembly instructions

Separate the rows of links from their protective cage, making cuts along the bottom of the cage in the places indicated in the figure:



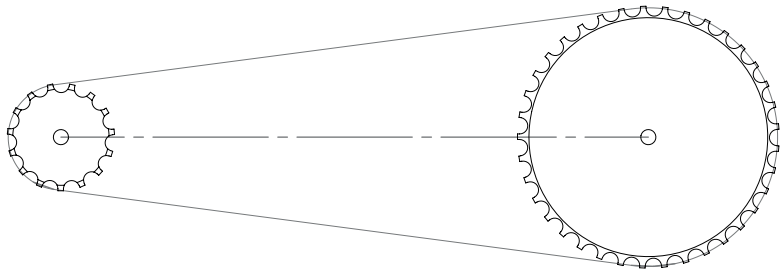
Obtaining three rows of inner links and another three of outer links.



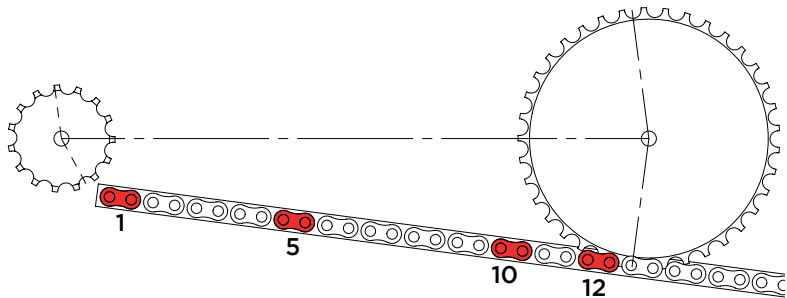
You can paint the rows of links before assembly.

## DCL-PAR120

### Assembly instructions



On a flat surface, place the sprockets in position to calculate the number of links necessary for each section of chain. Accurately measure the distance between the front and rear sprocket axles to avoid errors. Blue Tack under the crowns or a pin through the centre can help keep them in position.



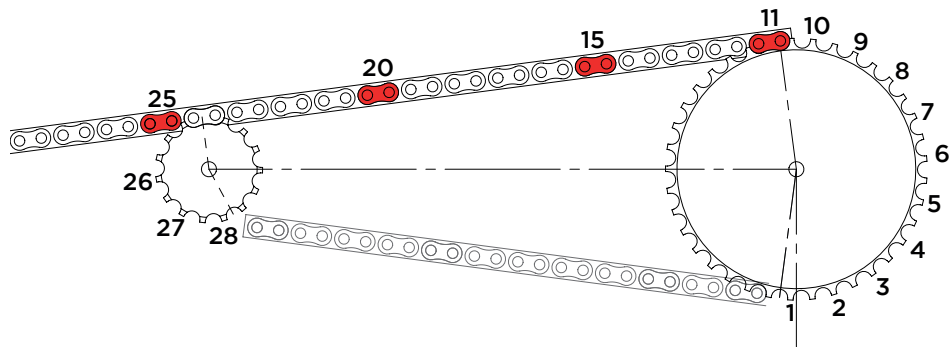
Place a piece with outside links at the bottom between the front and rear sprockets to calculate how many links you will need for that chain section.

In this example there will be 12 outer links, which we will join with 11 inner ones.

## DCL-PAR120

### Assembly instructions

To calculate the number of links on the top side of the chain, repeat the operation, placing a piece with outside links between the sprockets.



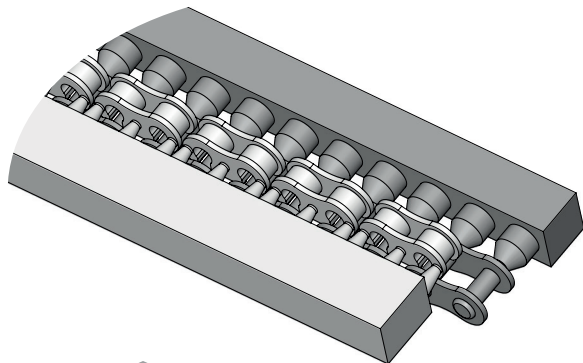
Count the number of links and add to these those necessary to cover the front and rear sprockets until the chain exits on the opposite side, where we will connect it with the lower section of the chain.

With this operation we now have the total number of links on the upper side, which in our case will be 28 outer links and 29 inner links.

## DCL-PAR120

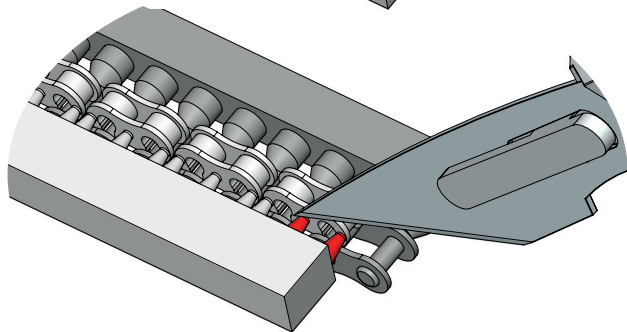
### Assembly instructions

Knowing the total number of links that we will need for each section, proceed to assemble the chain:



We begin the assembly of the lower section, which in this case it will be composed of 12 external links, which we will join with 11 internal ones.

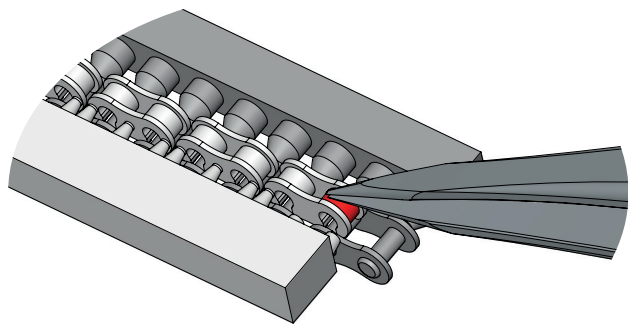
Place a piece with interior links on top of a piece with exterior links as indicated in the figure. This chain section begins with an exterior link.



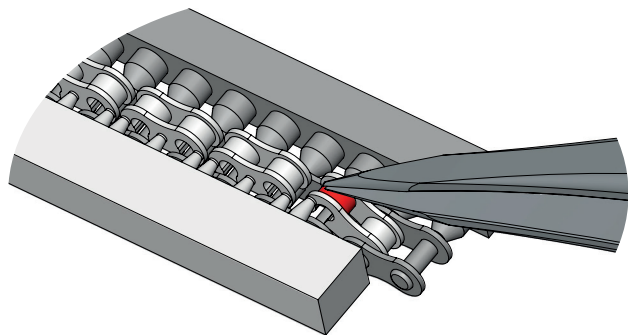
Pass the tip of a scalpel over the two small link supports indicated in **red** in the figure, which will be cut with light pressure.

## DCL-PAR120

### Assembly instructions



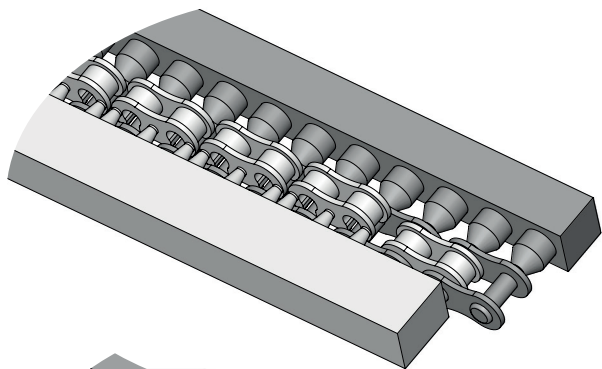
Press the half of the bushing in which there are no supports, marked in **red** in the figure, with the pliers until it is inserted into the outer link.



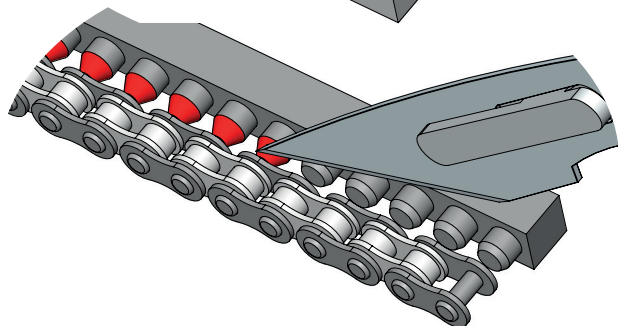
Press the other half of the inner link bushing with the pliers until it is inserted into the outer link. The slight pressure will cause the small support that still held it in place to break.

## DCL-PAR120

### Assembly instructions



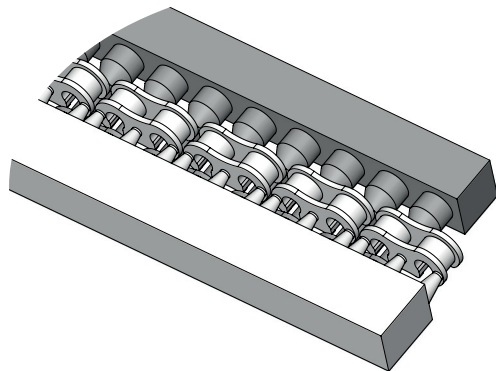
Check that the inner link is correctly inserted with light pressure on both bushings and without moving the chain, continue inserting the links in the same way until completing the number necessary for this section.



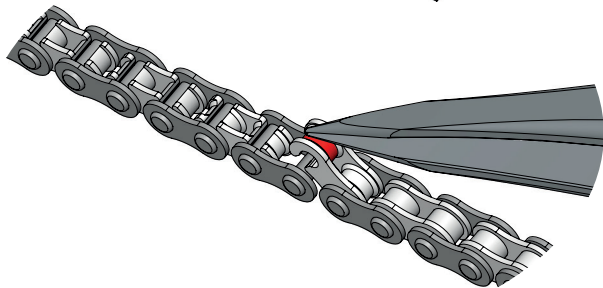
Separate the chain from its supports by cutting them with the scalpel and sand any remains that may keep of these supports on the chain.

## DCL-PAR120

### Assembly instructions



We assemble the upper section of chain in the same way, but it must begin and end on an inner link, which we must take into account when preparing the inner links on the outer ones to begin assembly.

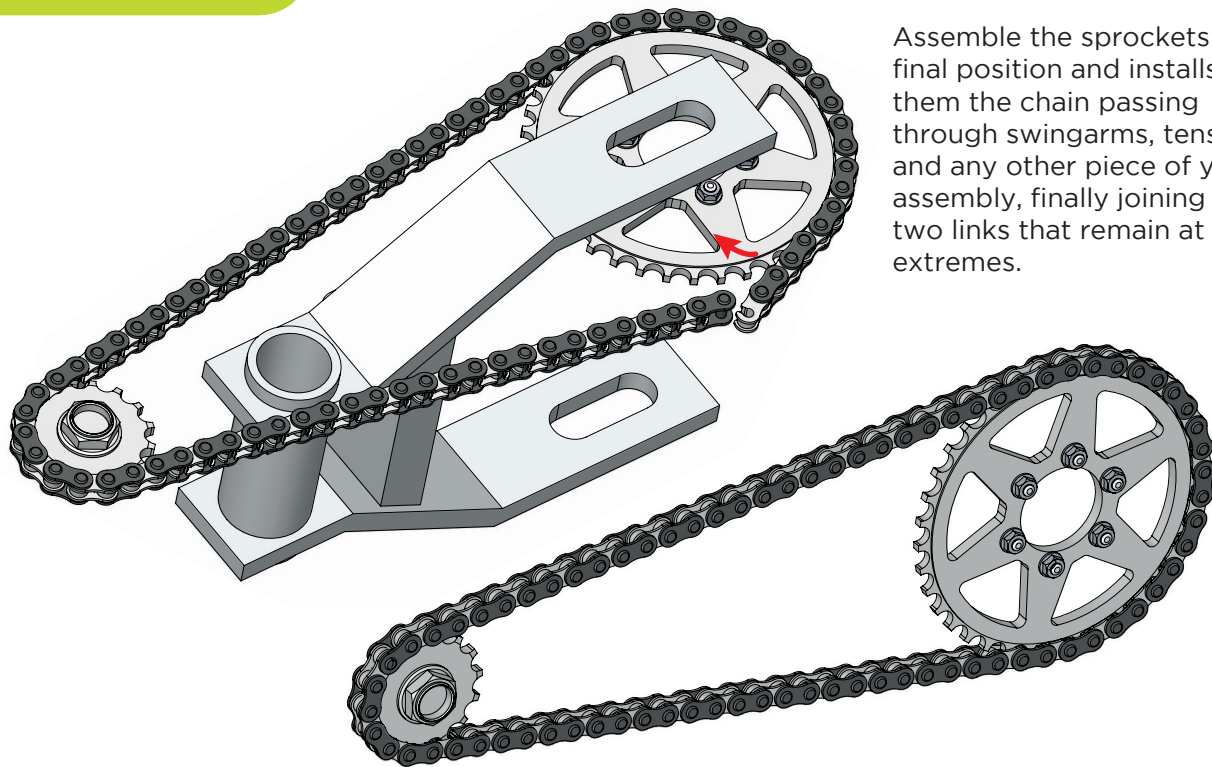


Once we have the two sections assembled, we join them as indicated in the figure, so that the insertion slots of the interior links are in opposite directions, thus these slots will be hidden from a top view.



## DCL-PAR120

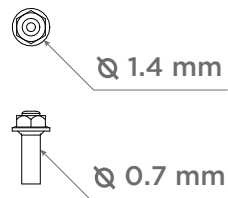
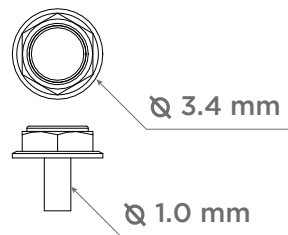
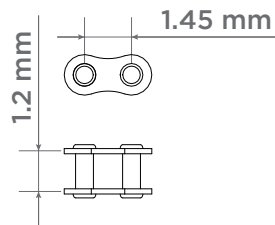
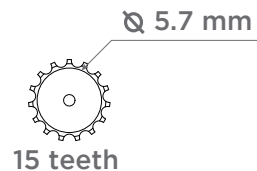
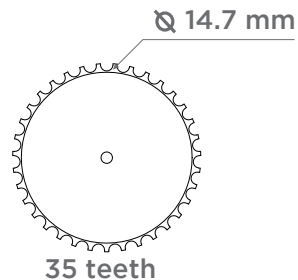
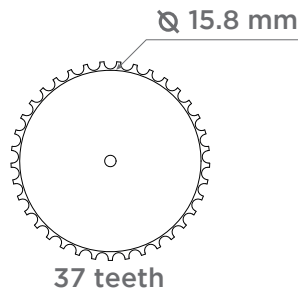
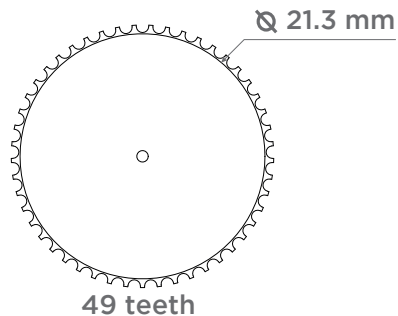
### Assembly instructions



Assemble the sprockets in their final position and install on them the chain passing through swingarms, tensioners and any other piece of your assembly, finally joining the two links that remain at its extremes.

# DCL-PAR120

Parts size



deca|cas