

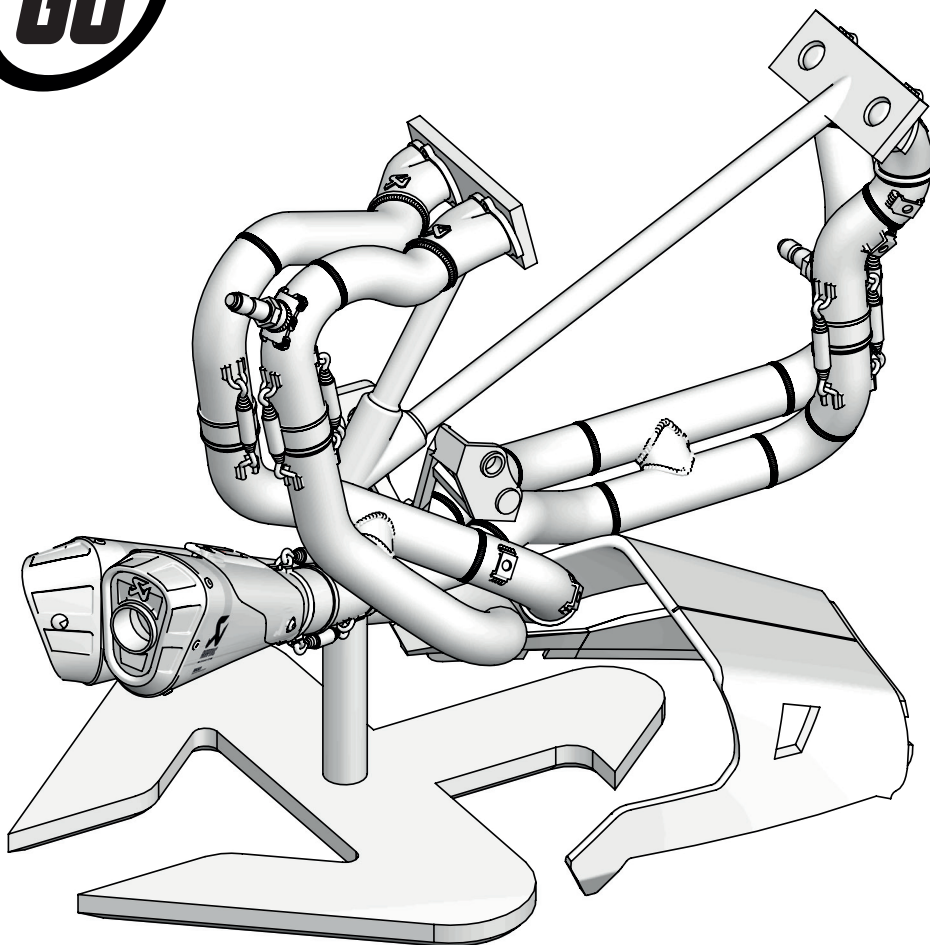
decalcas

DCL-PAR085

Detail-Up Set

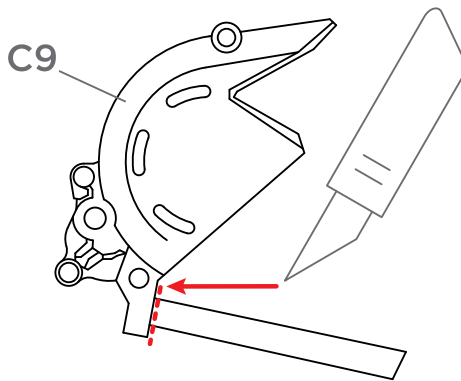
1/12 exhaust racing kit and cover
for Ducati Superleggera V4 (Tamiya)

PARTS



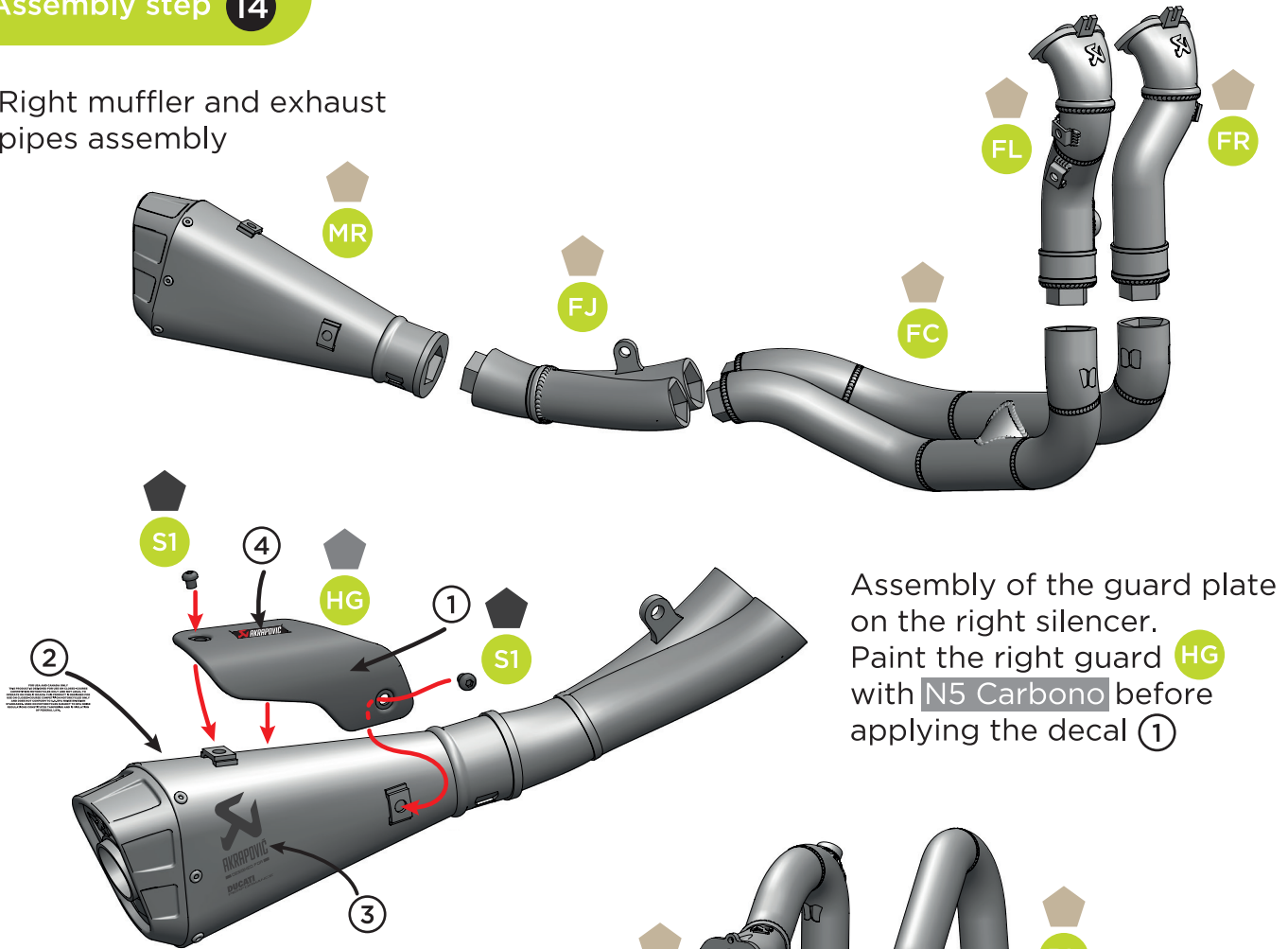
Assembly step 13

Modify the C9 kit part, removing chain guard for competition setup

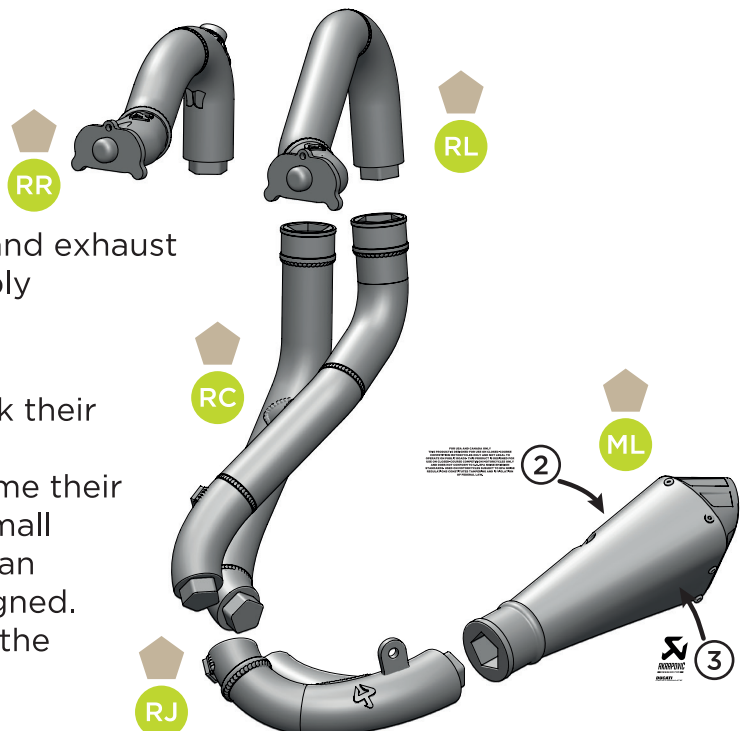


Assembly step 14

Right muffler and exhaust pipes assembly



Left muffler and exhaust pipes assembly



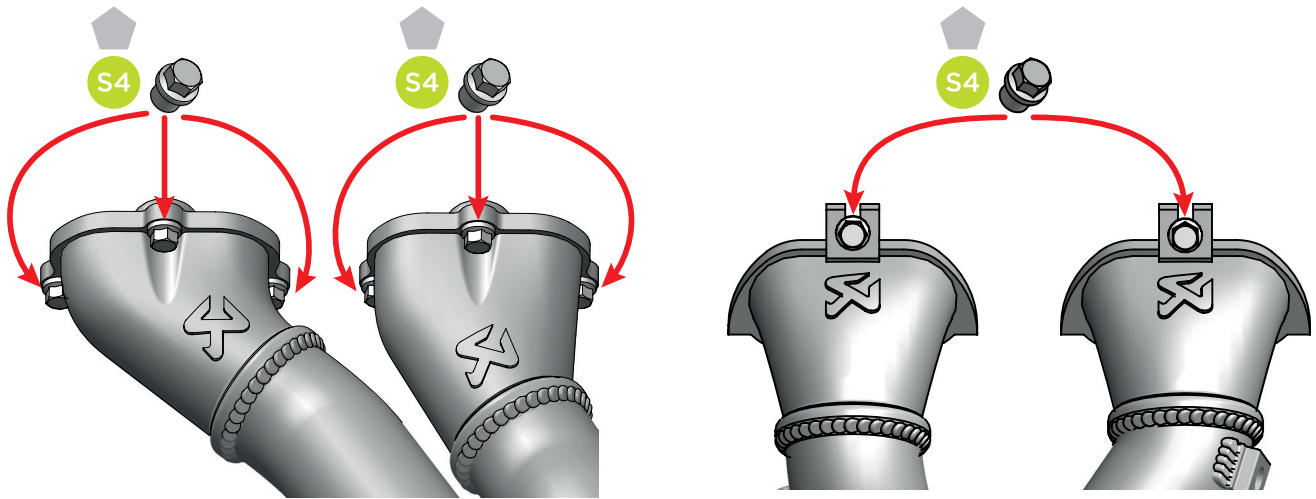
NOTE:



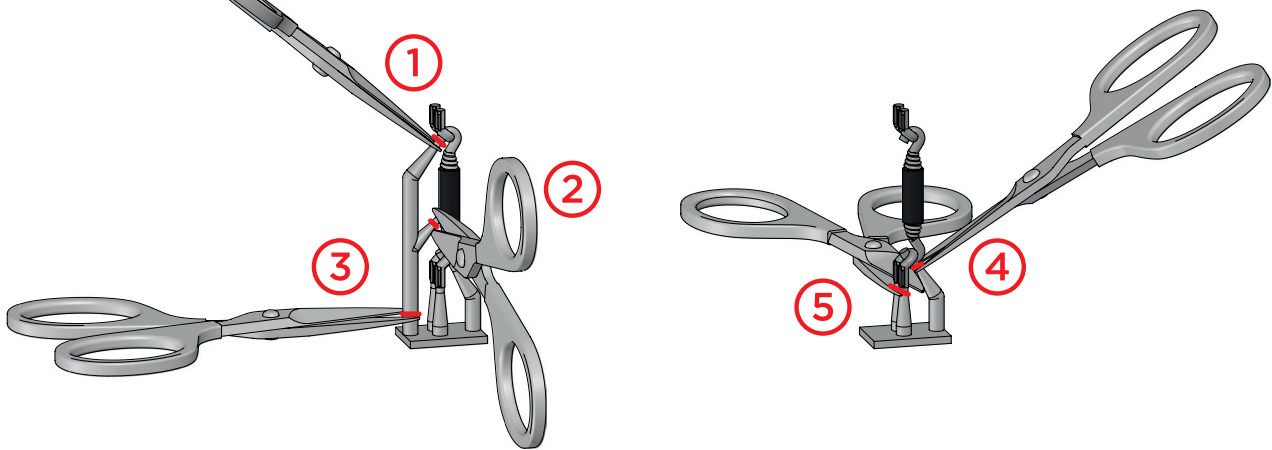
Before joining the pieces definitively, check their correct alignment.
All the pieces have been designed to assume their correct position when joined firmly. Any small deviation in the union of the main pieces can cause the assembly to not be correctly aligned. Use slow setting cyanoacrylate for joining the pieces.

Assembly step 14

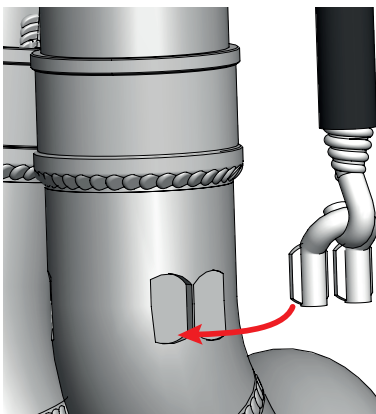
Install the S4 screws



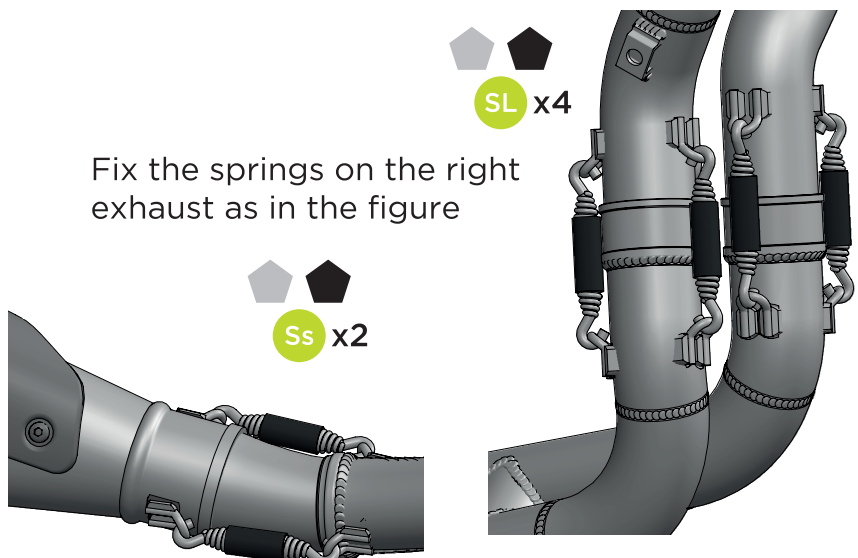
To separate the springs SL and Ss from the supports, use a fine-nose, well-sharpened scissors (TAM74068 or similar) cutting in the order and direction indicated:



Use the indentations marked on the exhaust pipes as a guide to align the springs through their brackets

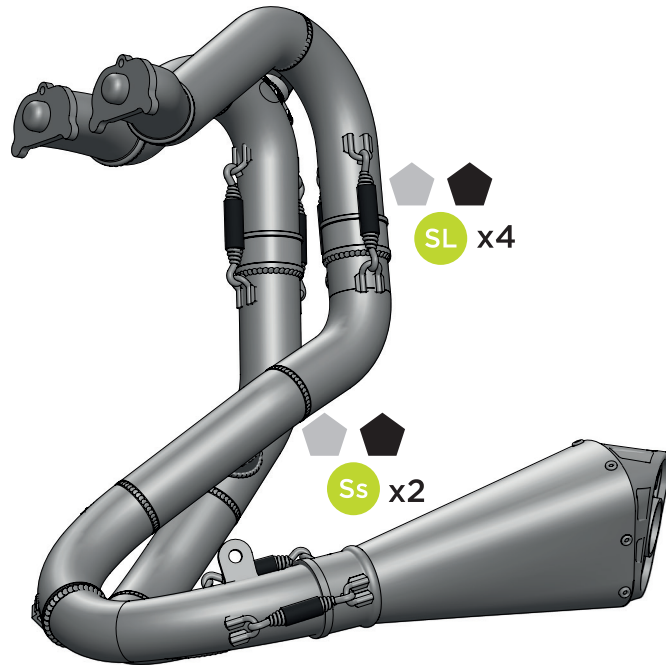


Fix the springs on the right exhaust as in the figure

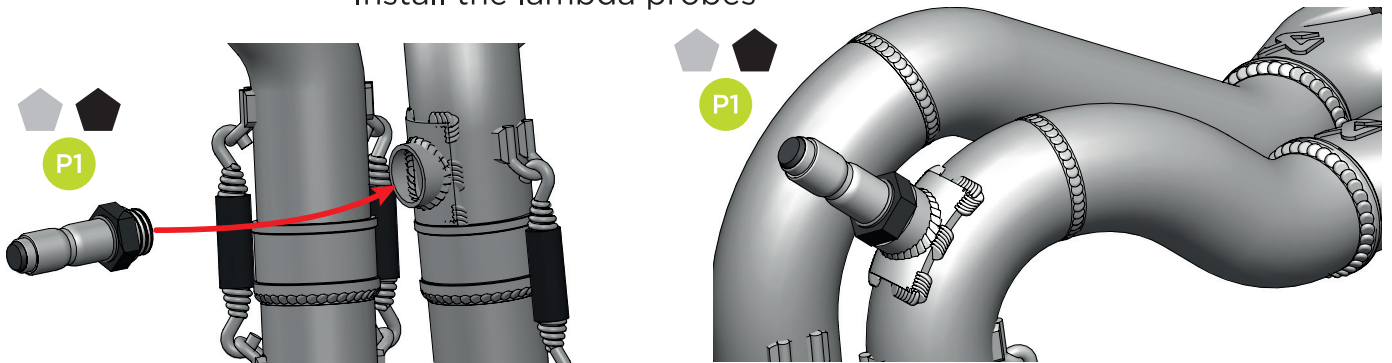


Assembly step 14

Fix the springs on the left exhaust as in the figure



Install the lambda probes

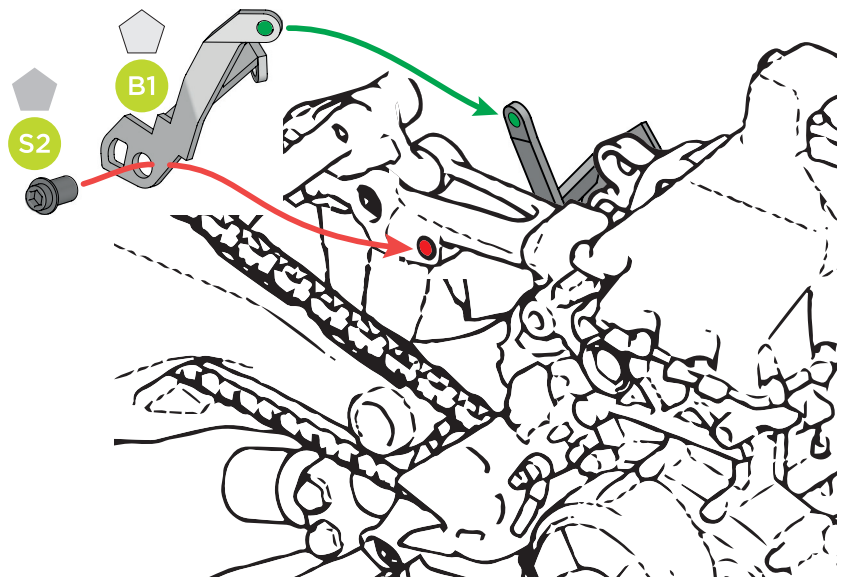
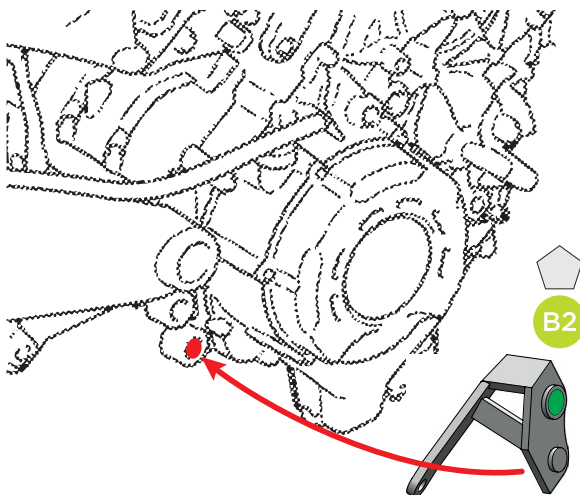


Assembly step 15

Install the lambda probes

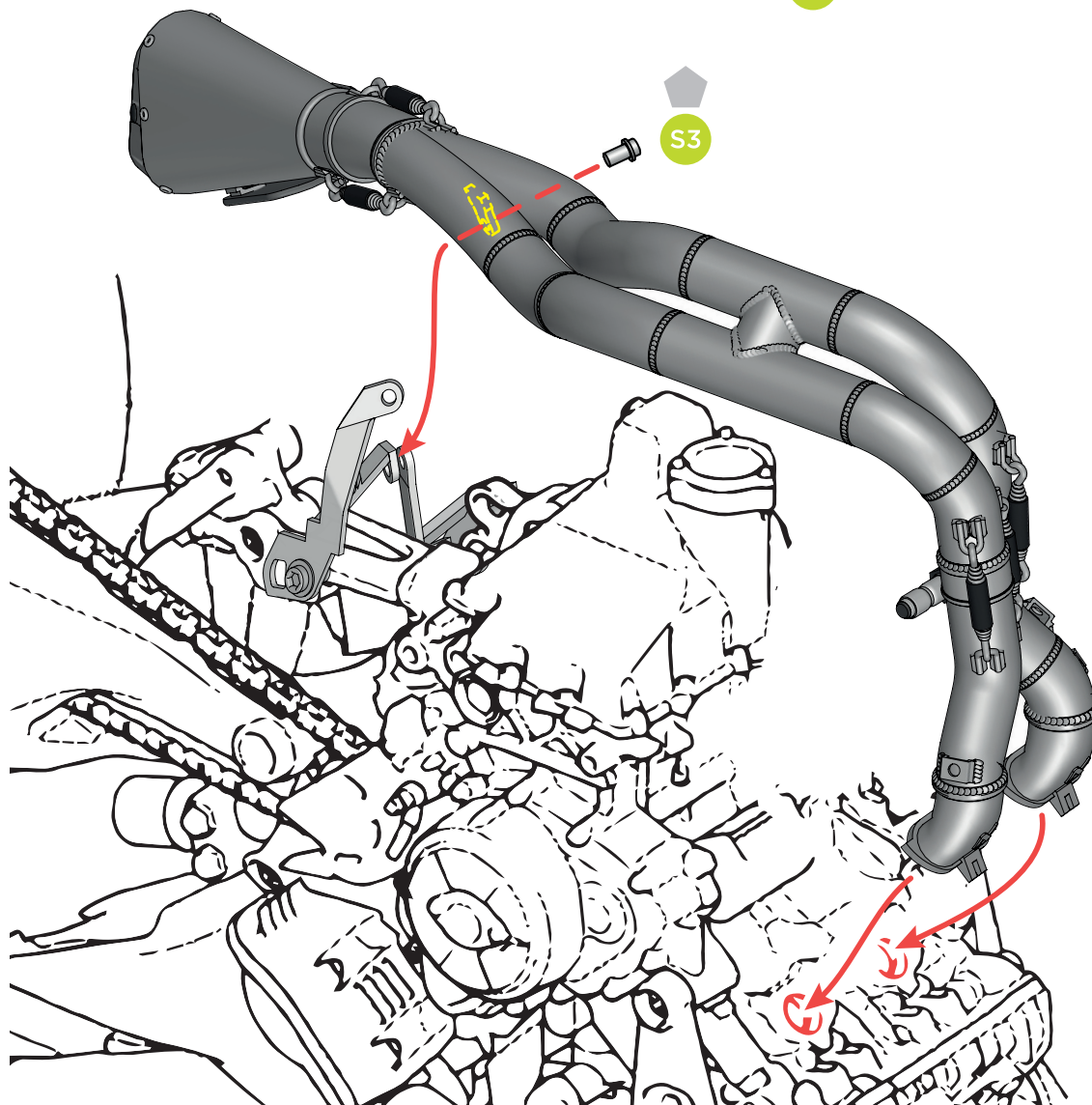
1. Install the B2 bracket by inserting the stem into the hole marked red and aligning the holes marked green.

2. Install the B1 bracket using the screw S2 to fix it in the hole indicated in red, so that the two brackets are aligned through the holes marked in green.



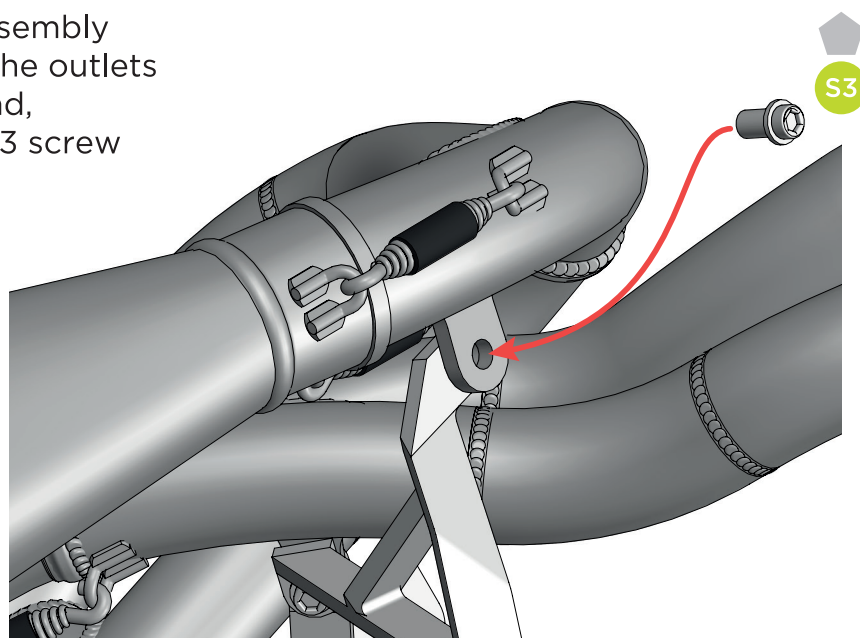
Assembly step 15

Install the front exhaust assembly
Insert the plate marked in yellow between the exhaust supports and insert the end of the manifolds in the outlets of the engine cylinder head, fixing the plate with screw S3



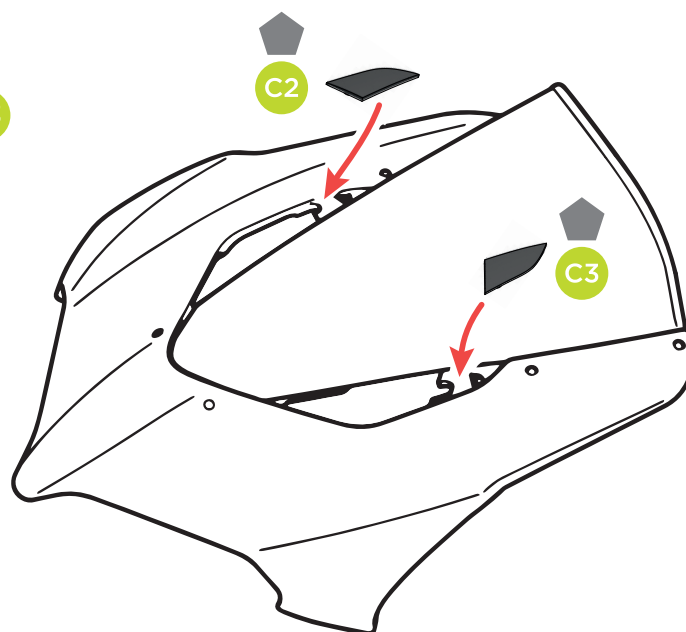
Assembly step 16

Install the rear exhaust assembly
Insert the manifolds into the outlets of the engine cylinder head, fixing the plate with the S3 screw



Assembly step **33**

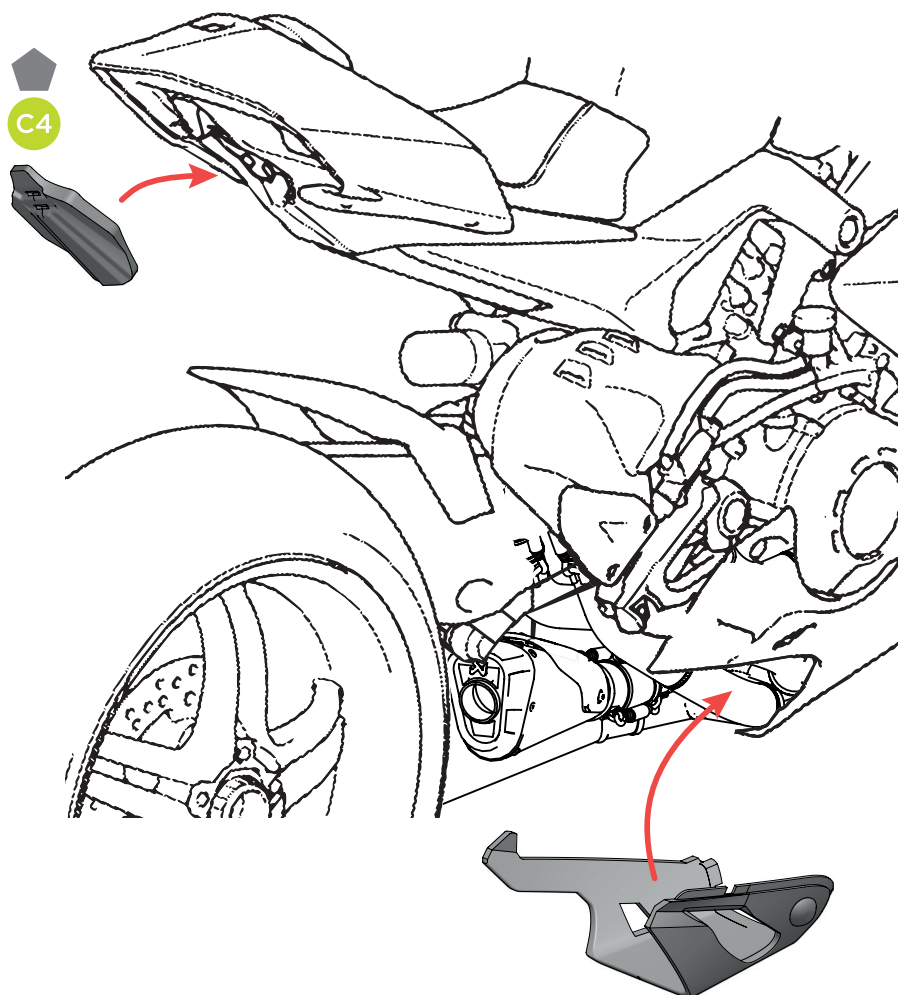
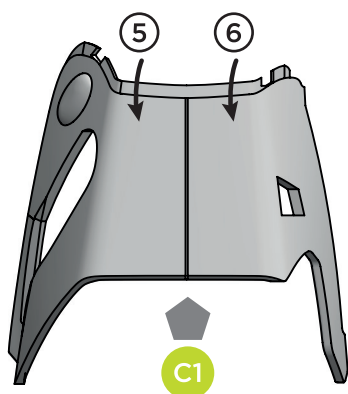
Replace rear view mirrors F1 and F2 with covers **C2** and **C3**



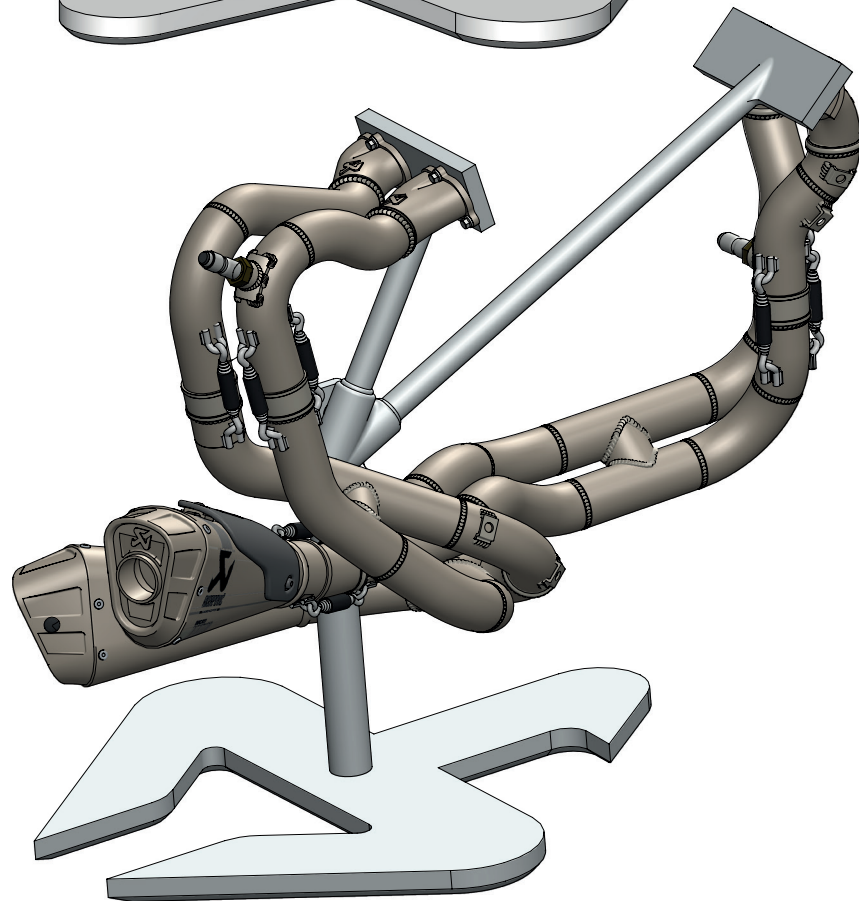
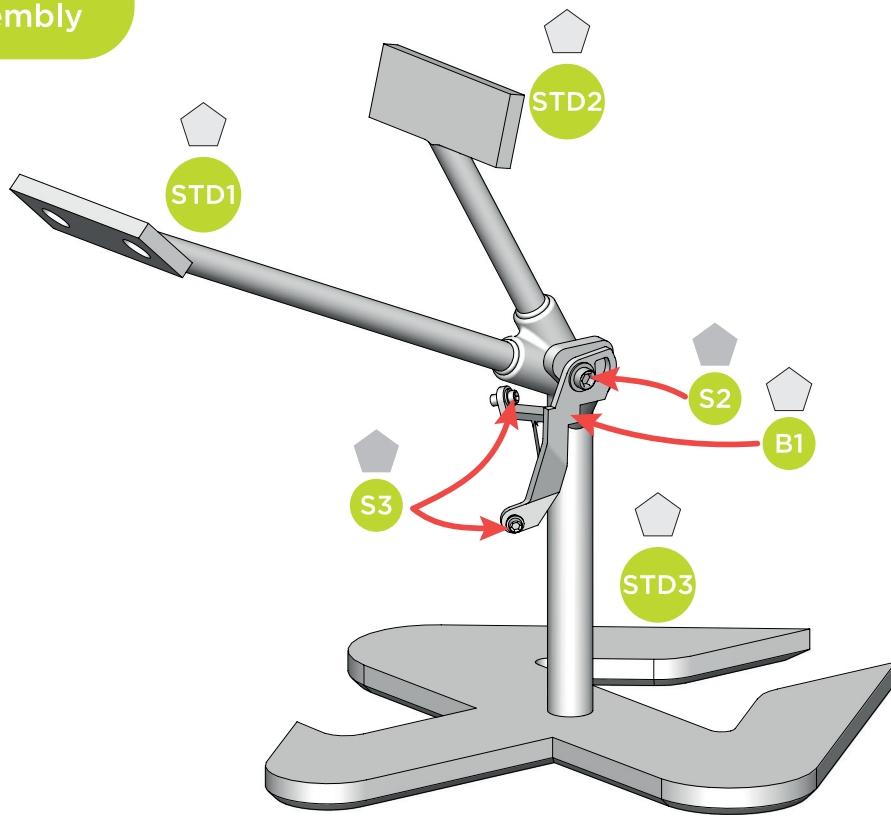
Assembly step **39**

Replace the license plate holder with the **C4** cover
Install the exhaust cover **C1**


Paint the exhaust cover **C1**
with **N5 Carbono** before
applying the decals **5** and **6**




Stand Assembly




Paints required

 N5-X068 Titanium Exhausts

 N5-X018 Carbon Ceramic Grey

 N5-X010 Aluminium

 N5-011 Black

 N5-X069 Steel