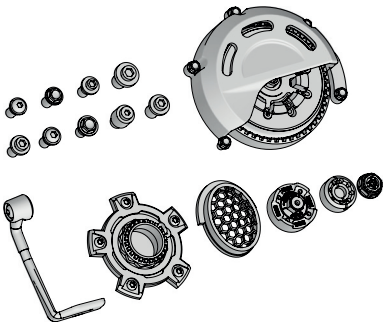


Detail-Up Set

1/12 Dry clutch and upgrade parts
for Ducati Superleggera V4 (Tamiya)



PARTS

NOTE

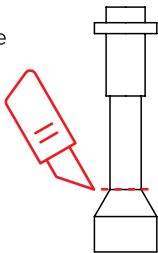
3d resin is brittle, so cut the parts supports carefully with sharp pliers first by the base and then by the back of the part.

Then sand the remaining supports to a smooth surface.

Removing screws from supports

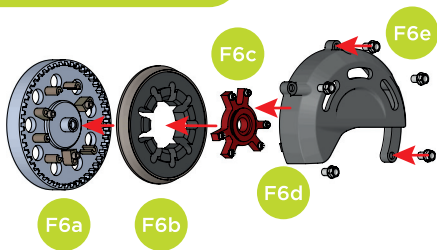
To remove the screws from its support, cut by the top of the cone where the screws are supported.

Then test if they have the right length before fixing in place with cyanoacrylate glue.



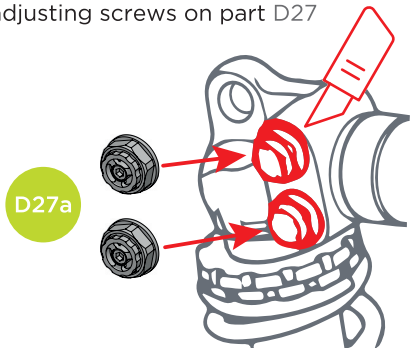
Assembly step 2

Replace part F6



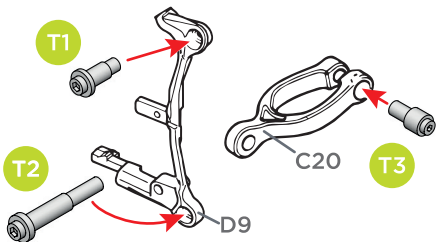
Assembly step 5

Replace the rear damper adjusting screws on part D27



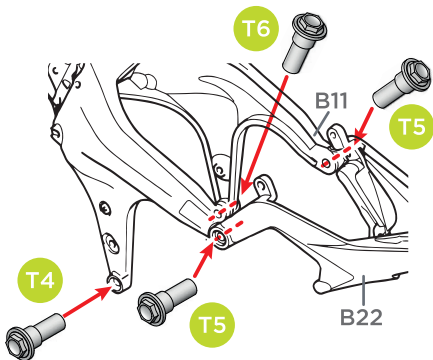
Assembly step **6**

Replace screws



Assembly step **7**

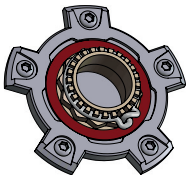
Replace screws



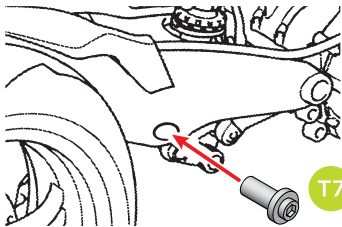
Assembly step 8

We recommend replace the chain by the item DCL-PAR083 Chain Set (sold apart)

Assembly step 10 Replace part C25



Assembly step 11 Replace screw



Note: 1.4x4mm screws remain hidden after assembly, so they must be used

Assembly step **14**

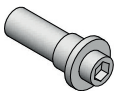
Replace part E1



E1

Note: For competition configuration use DCL-PAR085 Exhaust racing kit and cover (sold apart)

Assembly step **15**



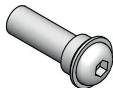
Replace 1.2x2.5mm screw with **T8**

Assembly step **18**



Replace 1.2x2.5mm screw with **T9**

Assembly step **20**

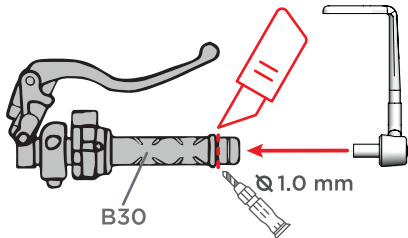


Replace 1.2x2.5mm screws with **T10**

Assembly step 26

B30a

Install Hand brake guard



Replace part D30



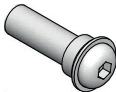
D30

Replace part D31



D31

Assembly step 31

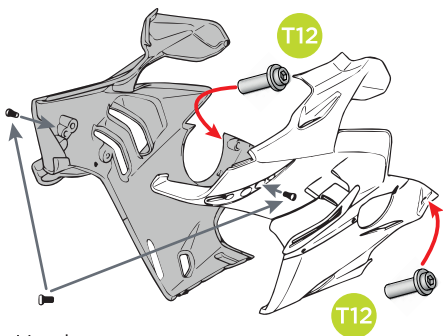


Replace 1.2x2.5mm screws with T11

T11

Assembly step 36

Replace only rear screws



Use here
the 1.2x2.5mm screws
provided with the kit

deca|cas

Made in Spain